

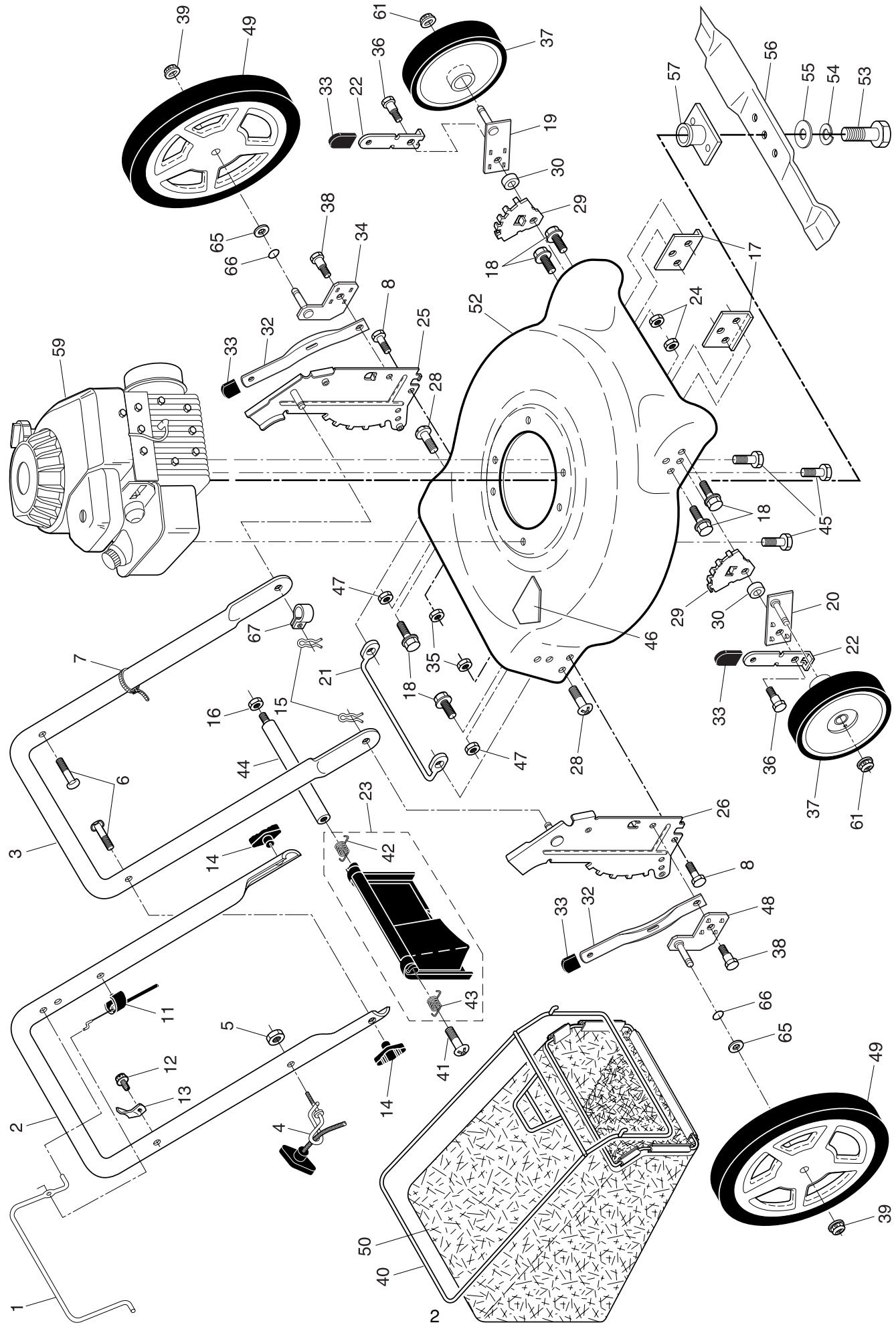
ILLUSTRATED PARTS LIST

MODEL NUMBER M4053CM

PRODUCT NUMBER 961 31 00-19

MFG. ID. NUMBER 96131001900

ROTARY LAWN MOWER - - MODEL NUMBER M4053CM (96131001900) PRODUCT NUMBER 961 31 00-19



ROTARY LAWN MOWER - - MODEL NUMBER M4053CM (96131001900) PRODUCT NUMBER 961 31 00-19

KEY NO.	PART NO.	DESCRIPTION	KEY NO.	PART NO.	DESCRIPTION
1	532 19 55-74	Control Bar	36	532 16 08-28	Shoulder Bolt 5/16-18
2	532 19 55-47	Upper Handle	37	532 19 79-85	Wheel & Tire Assembly, Front 8 x 2
3	532 17 42-91	Lower Handle	38	532 16 43-62	Shoulder Bolt
4	532 19 47-88	Rope Guide	39	532 14 52-12	Nut, Hex, Flangelock
5	532 13 20-04	Locknut, Hex 1/4-20	40	532 19 46-42	Frame, Grassbag
6	532 19 15-74	Handle Bolt	41	532 08 86-52	Hinge Screw
7	532 06 64-26	Wire Tie	42	532 16 57-66	Spring, Rear Door, LH
8	874 78 05-12	Hex Bolt 5/16-18 x 3/4	43	532 16 57-67	Spring, Rear Door, RH
11	532 17 65-56	Engine Zone Control Cable	44	532 18 58-19	Rod, Rear Door
12	532 75 06-34	Hex Washer Head Screw #10-24 x 1/2	45	532 15 04-06	Hex Head Thread Rolling Screw 3/8-16 x 1
13	532 12 52-03	Up-Stop Bracket	46	532 18 21-66	Danger Decal
14	532 19 19-38	Handle Knob	47	532 75 11-53	Nut, Hex
15	532 05 17-93	Hairpin Cotter	48	532 18 36-62	Axle Arm Assembly, Rear, RH
16	532 19 17-30	Nut, Hex, Flangelock 1/4-20	49	532 40 31-67	Wheel & Tire Assembly, Rear 12"
17	532 17 41-12	Support Bracket	50	532 40 20-24	Grassbag
18	817 60 04-06	Screw 1/4-20 x 3/8	52	532 40 06-59	Kit, Lawn Mower Housing Assembly (Includes Key Numbers 17, 18 and 46)
19	532 18 92-77	Axle Arm Assembly, Front, LH	53	532 85 10-84	Hex Head Screw 3/8-24 x 1-3/8 Grade 8
20	532 18 92-78	Axle Arm Assembly, Front, RH	54	532 85 02-63	Helical Lockwasher
21	532 16 94-23	Footguard	55	532 85 10-74	Hardened Washer
22	532 16 85-99	Selector Spring, Front	56	532 19 93-77	21" Blade
23	532 18 66-12	Kit, Rear Door (Includes Springs)	57	532 19 38-25	Blade Adapter
24	873 93 05-00	Locknut, Hex 5/16-18	59	- - -	Engine, Briggs & Stratton, Model Number 10A902 (Order parts from engine manufacturer)
25	532 40 31-12	Handle Bracket Assembly, LH	61	532 08 39-23	Nut, Hex, Flangelock
26	532 40 31-13	Handle Bracket Assembly, RH	65	532 08 83-48	Washer, Flat
28	532 05 45-83	Screw	66	532 19 74-80	O-Ring
29	532 16 57-04	Wheel Adjusting Bracket, Front	67	532 19 79-91	Clip, Cable
30	532 18 39-01	Spacer	- -	532 18 21-91	Warning Decal (not shown)
32	532 40 29-47	Selector Spring, Rear	- -	532 40 39-47	Operator's Manual, European
33	532 08 78-77	Selector Knob	- -	532 40 39-49	Operator's Manual, Scandinavian
34	532 18 36-61	Axle Arm Assembly, Rear, LH			
35	532 16 67-85	Locknut, Hex 5/16-18			

NOTE: All component dimensions given in U.S. inches. 1 inch = 25.4 mm. **IMPORTANT:** Use only Original Equipment Manufacturer (O.E.M.) replacement parts. Failure to do so could be hazardous, damage your lawn mower and void your warranty.